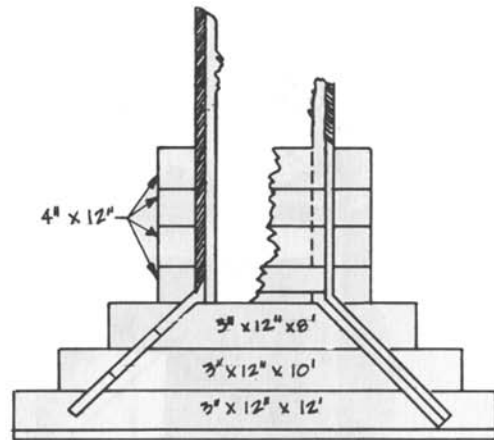
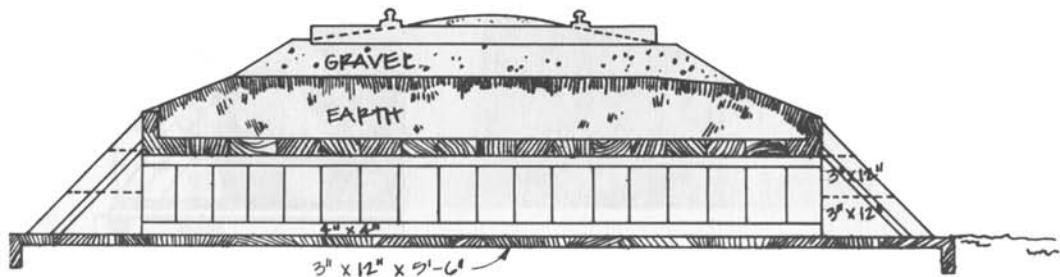


CREOSOTED BOX CULVERT
 SOUTHERN PACIFIC CO.
 COMMON STANDARDS
 SCALE: $\frac{1}{4}'' = 1'-0''$

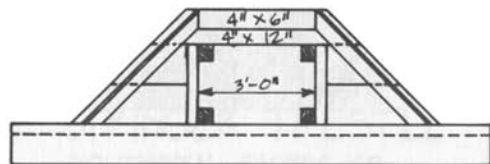
3-24-06



PLAN OF END



SECTION OF BOX



END VIEW