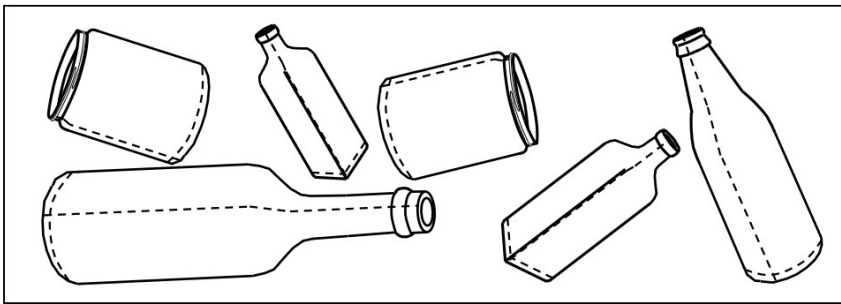


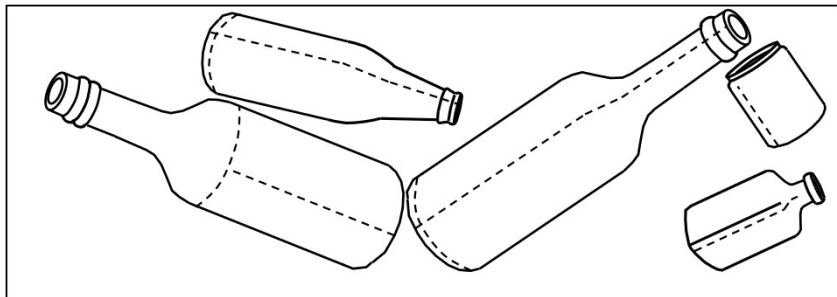
Stratigraphy Challenge!

Answer Key

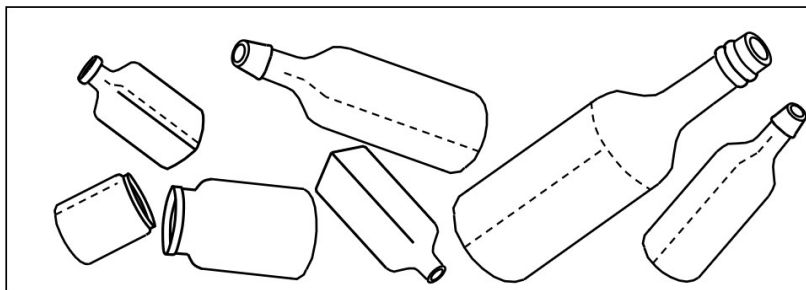
The layers should be in the following order. The top layer represents the most recently made bottles, made using 20th century techniques. The bottom layer represents the oldest bottles, made using the earliest bottle making techniques.



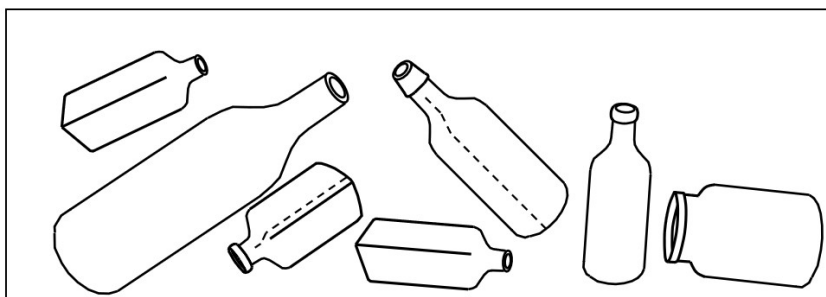
All the bottles in this layer are machine made, dating to the 1900s.



Most of the bottles in this layer are machine made, dating to the 1900s, but some bottles' seams do not go all the way to the top, suggesting that they are mold blown and date to the 1800s.



Some of these bottles have partial seams, meaning that they are mold blown, dating to the 1800s. Some have no seam, suggesting that they were made using very early bottle-making methods.



Some of these bottles have partial seams, meaning that they are mold blown, dating to the 1800s. But most of them have no seam, suggesting that they were made using very early bottle-making methods.